

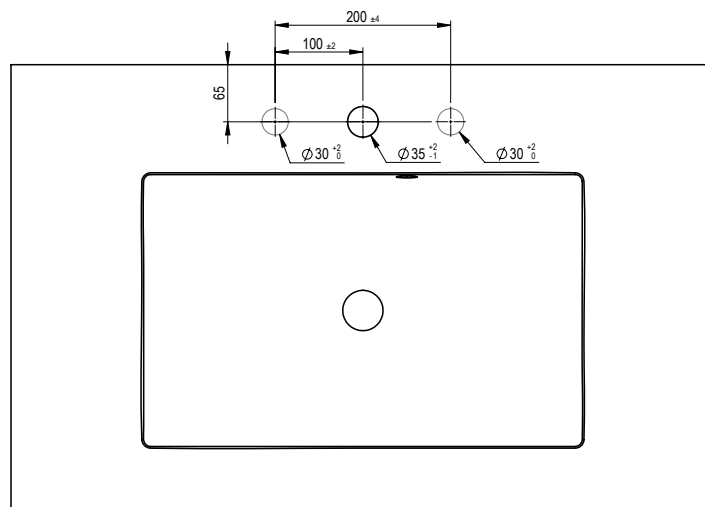
ORDER FORM

3-HOLES FIXTURES FOR CALIDRIS & LUNA/INZO

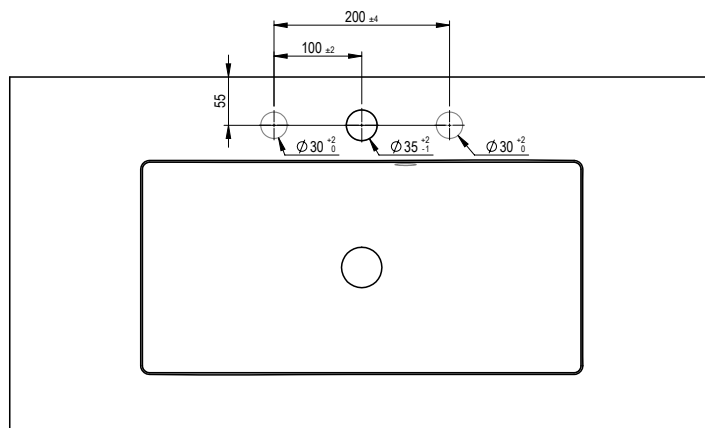
Customer:	Required supply date: (min. 6 weeks)	Order no./Ref.:
Contact person:	Order date:	Order no. Dansani: (added by Dansani)

3-holes fixtures

3-holes fixtures holes for cabinets with a depth of 505 mm



3-holes fixtures holes for cabinets with a depth of 405 + 455 mm



Signature of acceptance Name/Company stamp