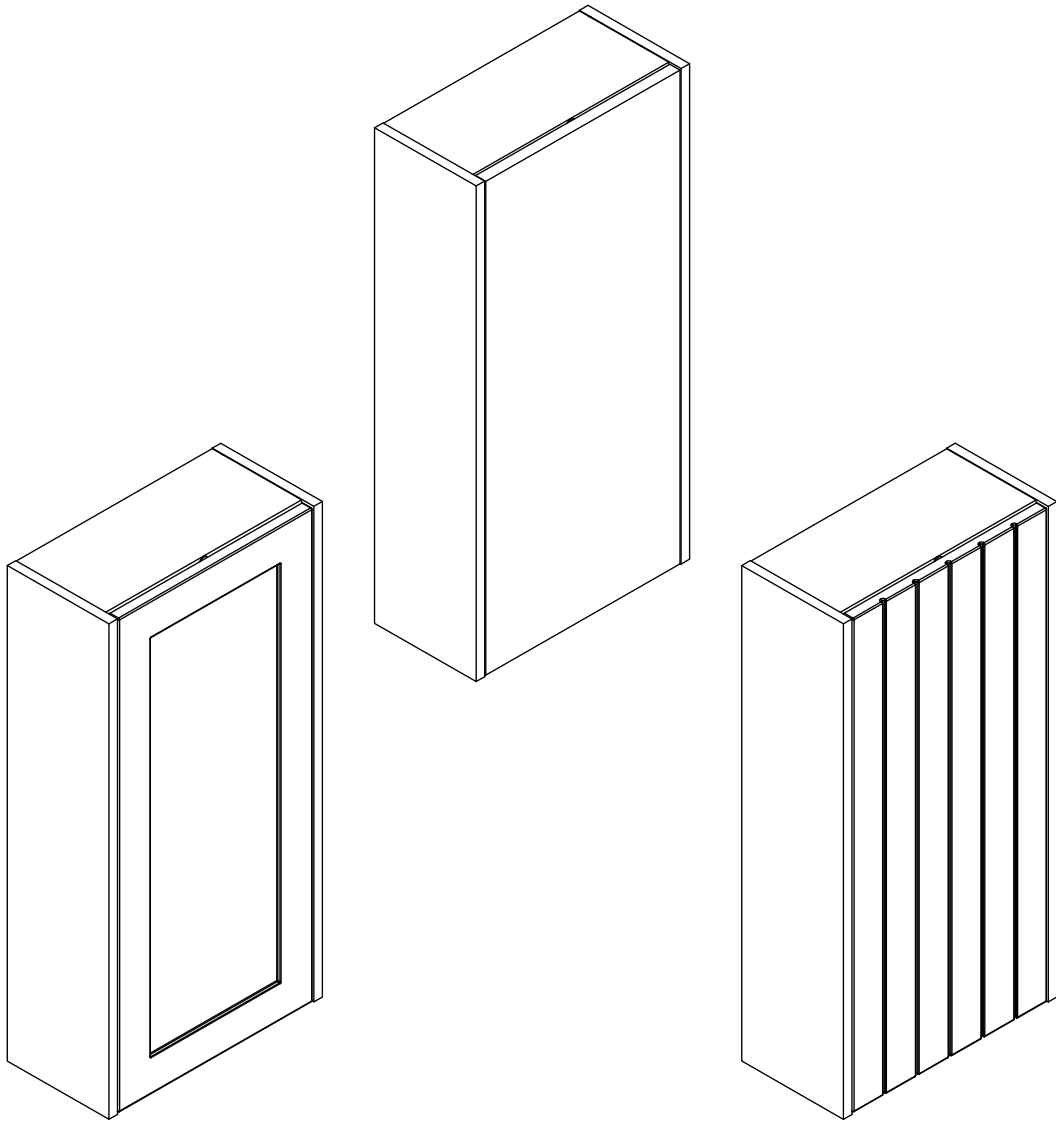
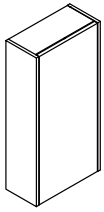




# DANSANI

BATHROOM DESIGN





6x  
5-500



6x  
5,0-60SU



6x  
390010067



8x  
415533



2x  
3,5-20SU



2x  
190300766



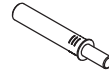
1x  
190320150



2x  
4,0-16LH



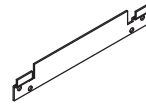
1x  
190320152



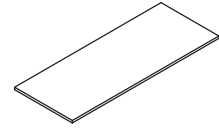
1x  
190320154-2



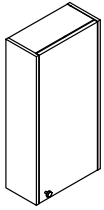
1x  
190320154-3



1x  
546240046



2x  
820841301



6x  
5-500



6x  
5,0-60SU



6x  
390010067



8x  
415533



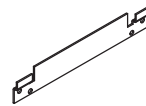
2x  
3,5-20SU



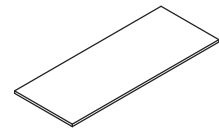
2x  
190300766



2x  
19500030

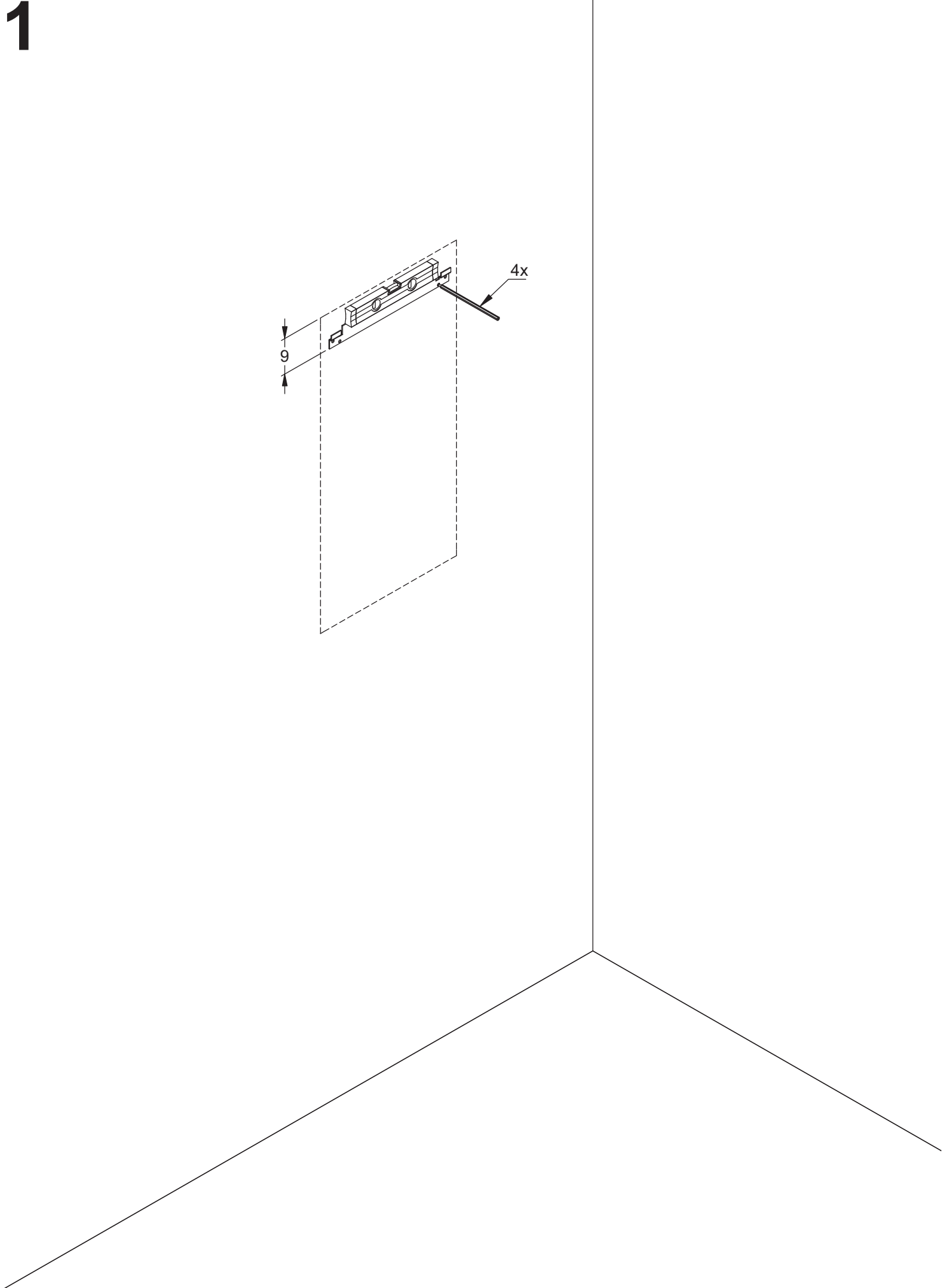
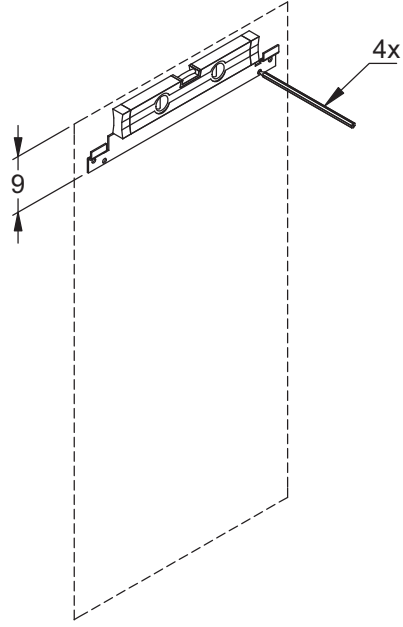


1x  
546240046

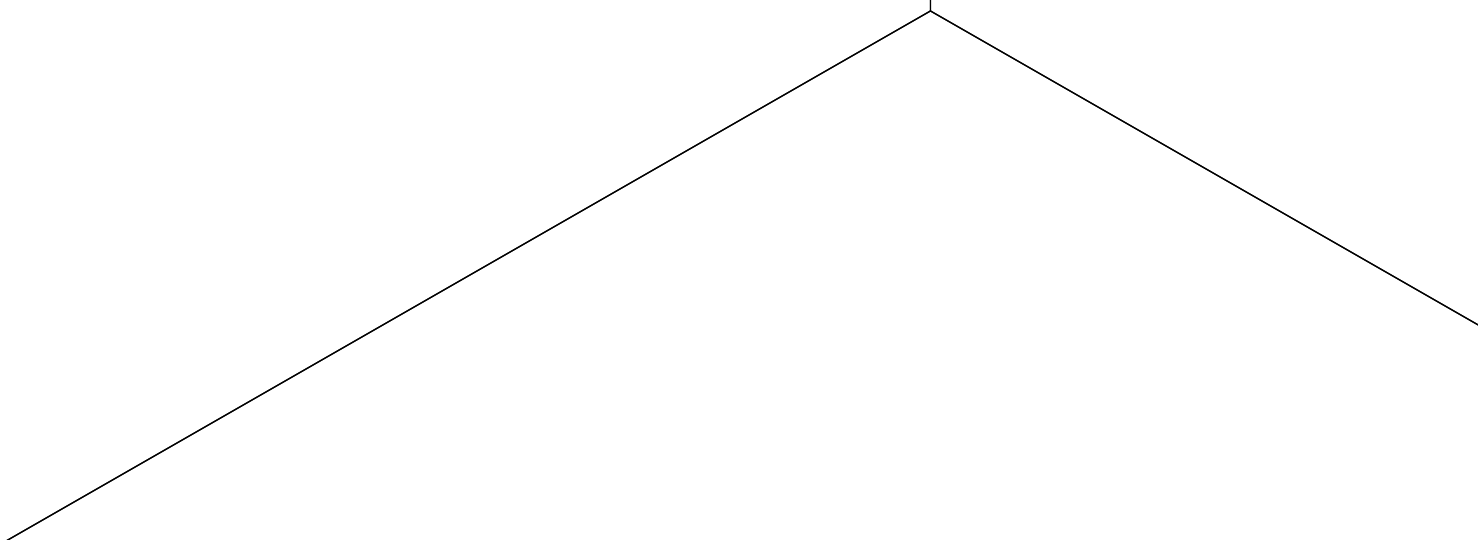
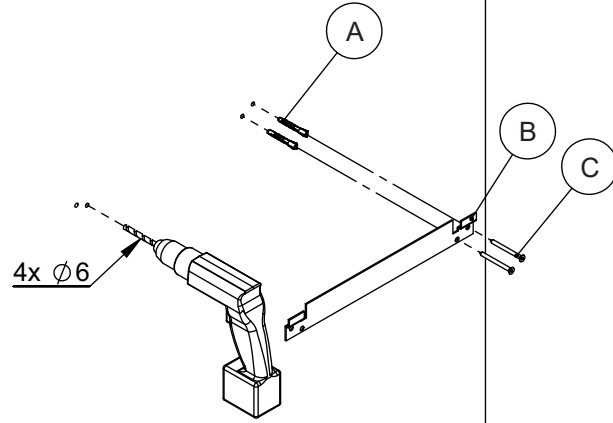
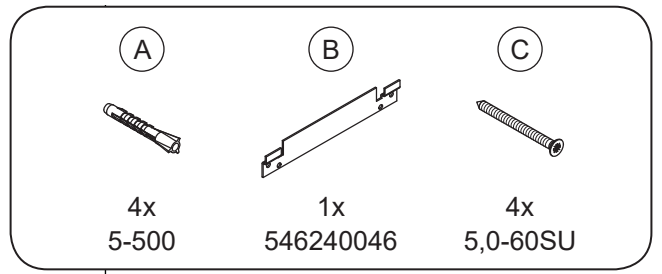


2x  
820841301

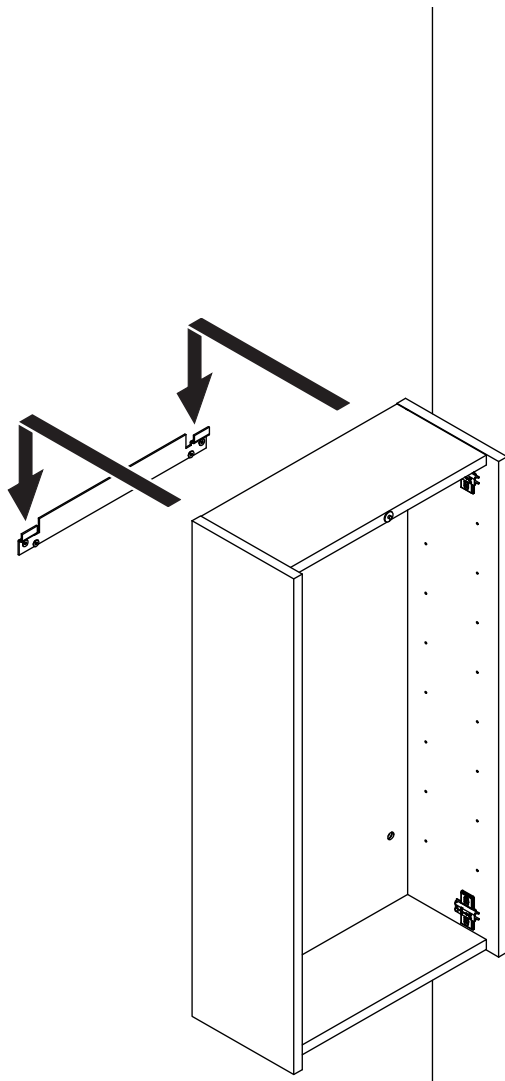
1



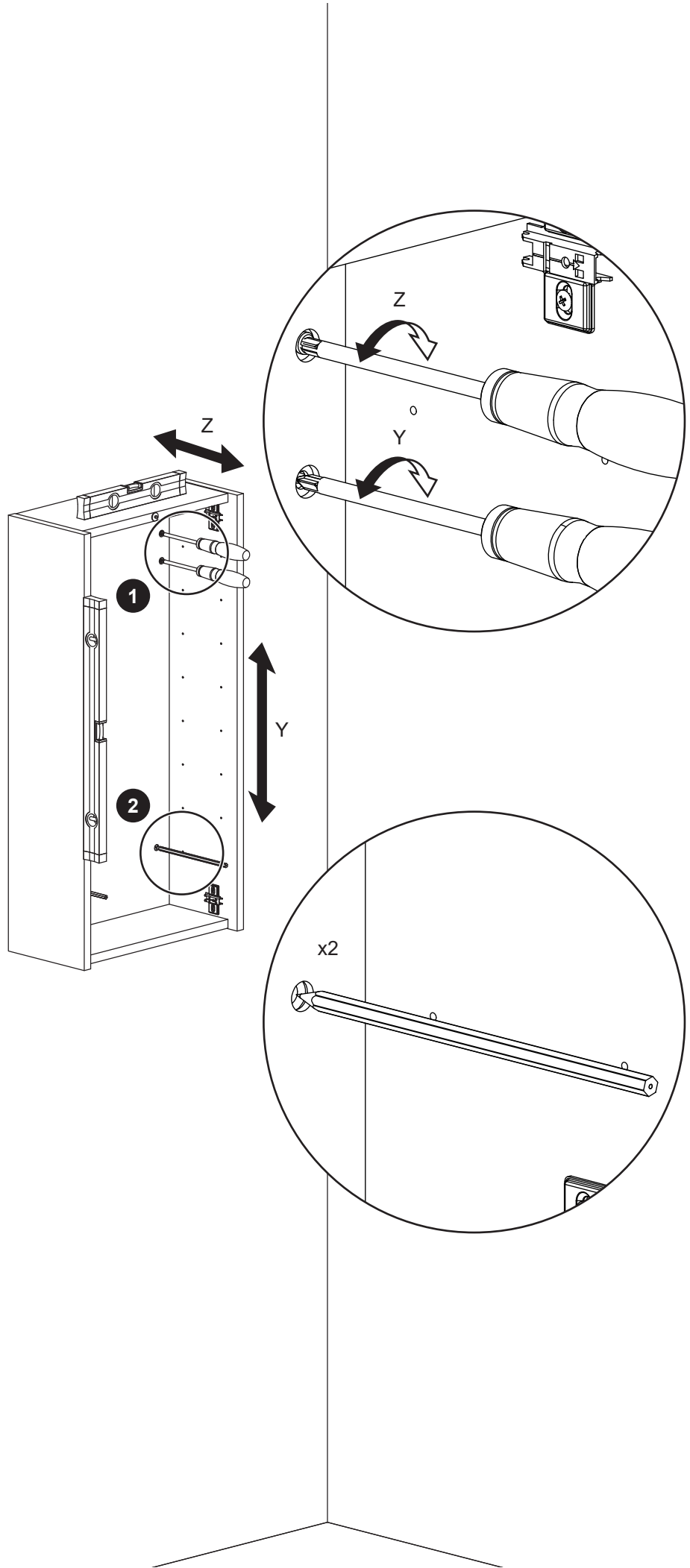
# 2



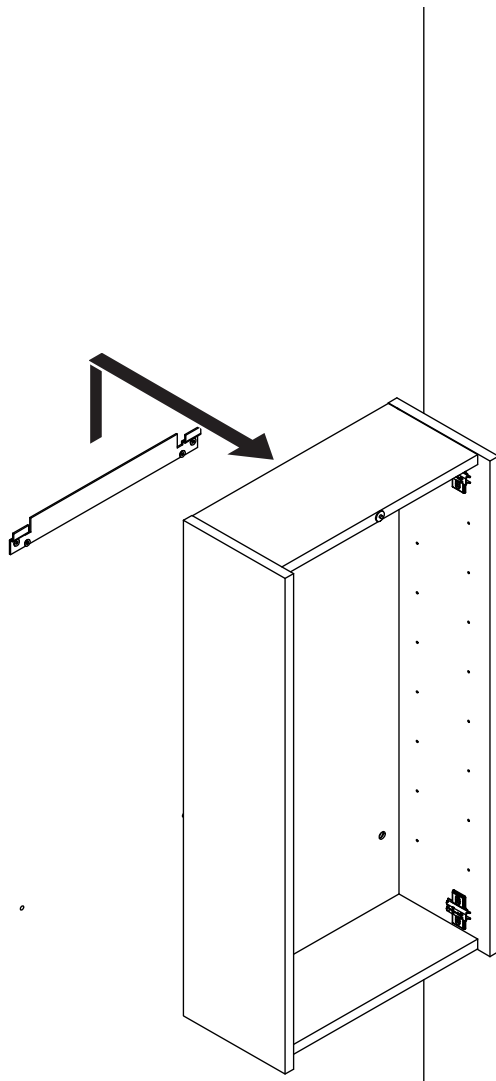
3



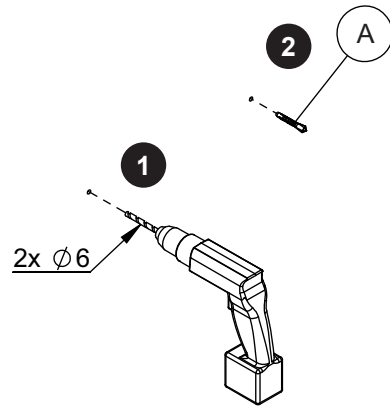
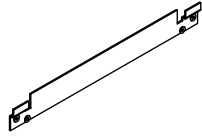
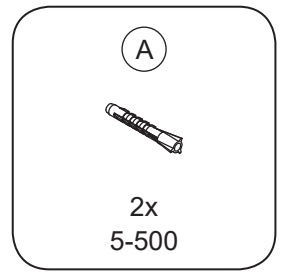
# 4



5

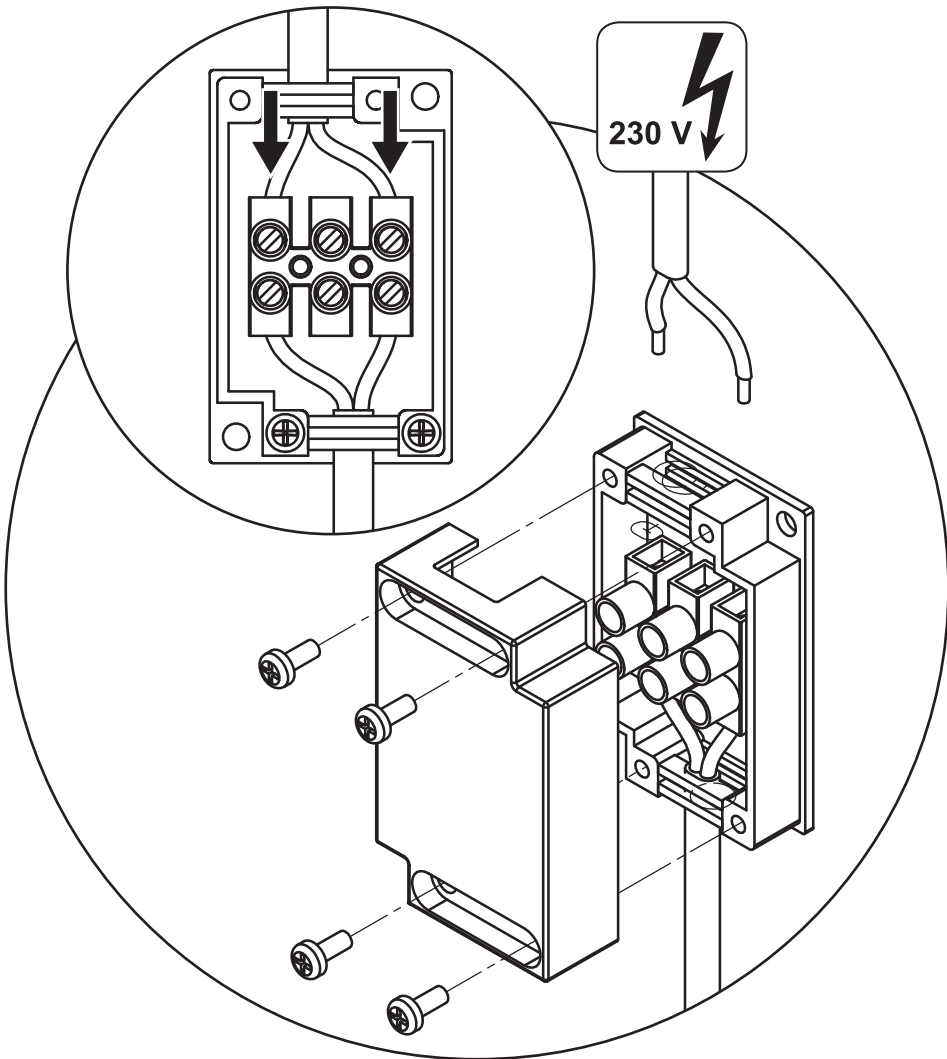
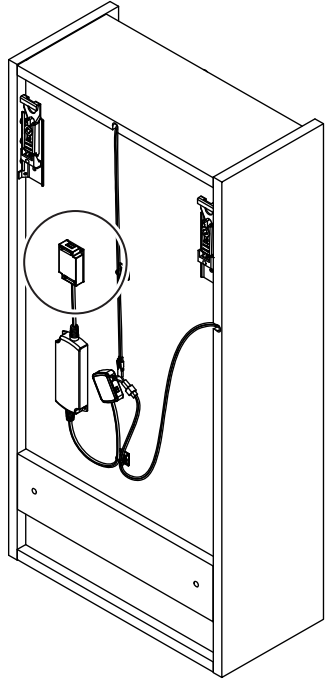


6

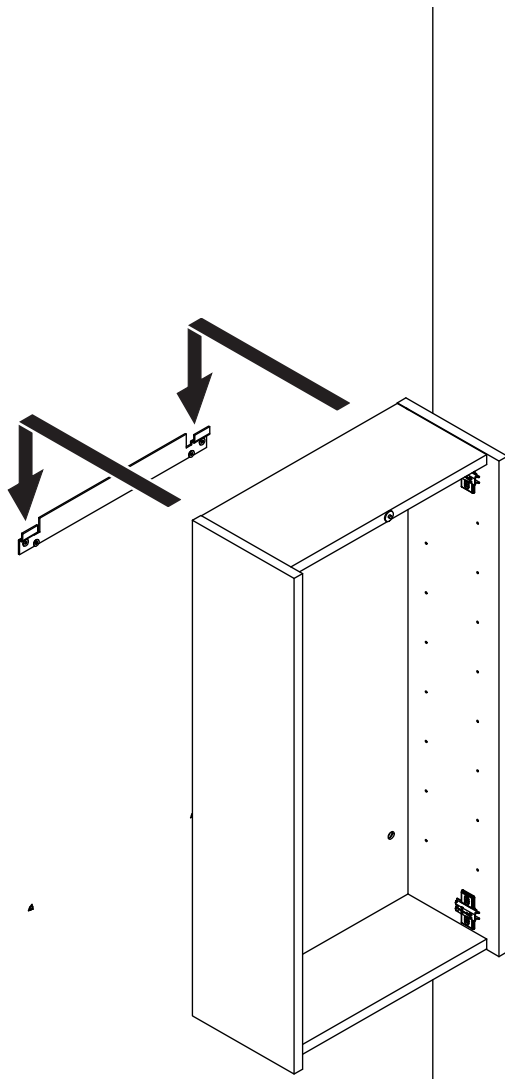




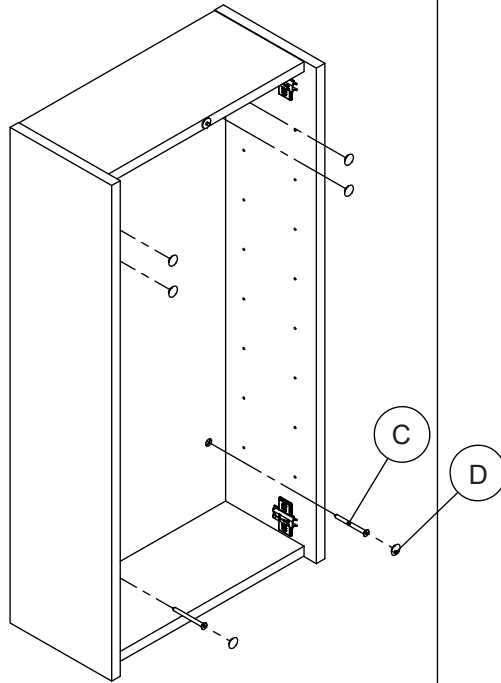
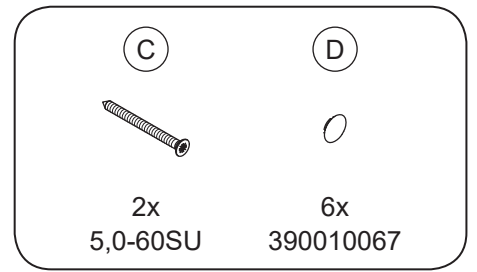
# 7




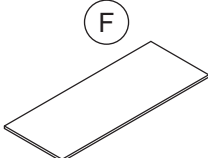
8

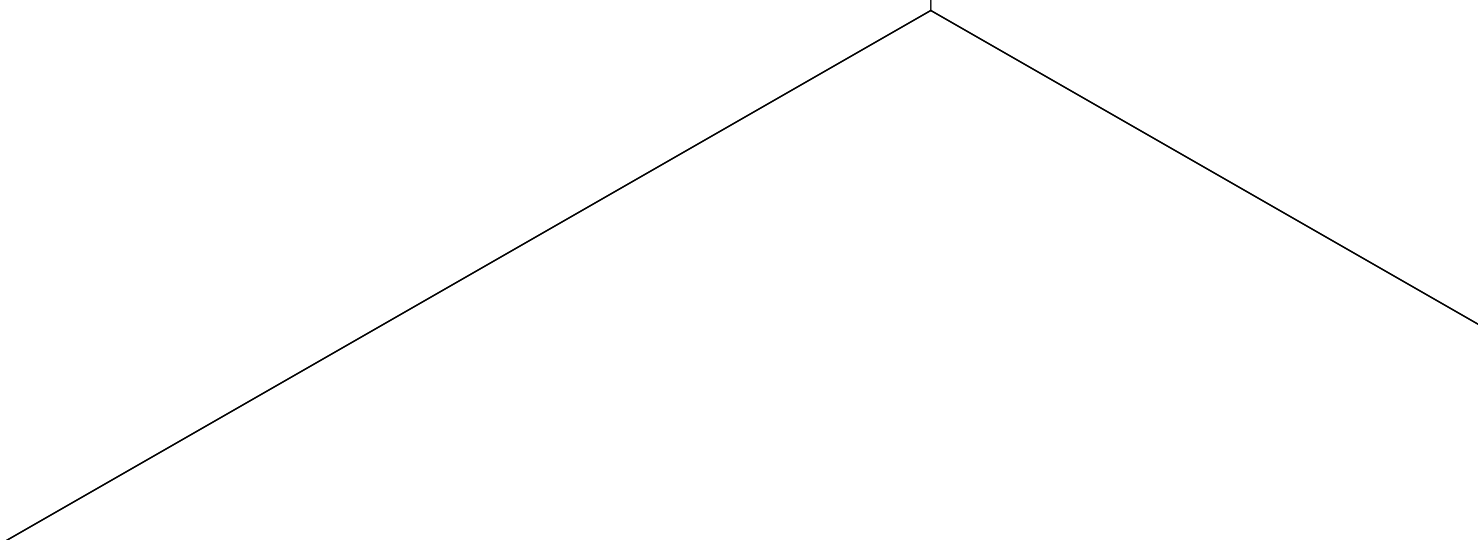
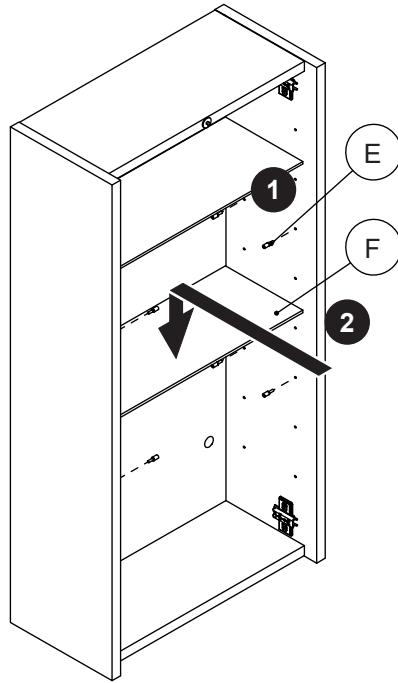


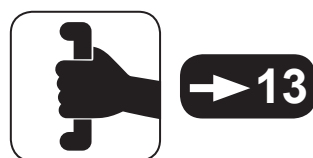
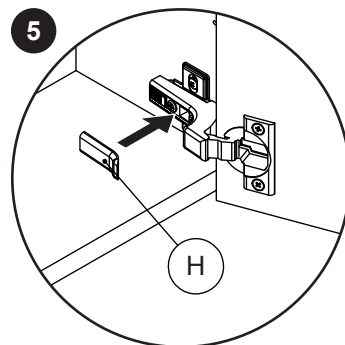
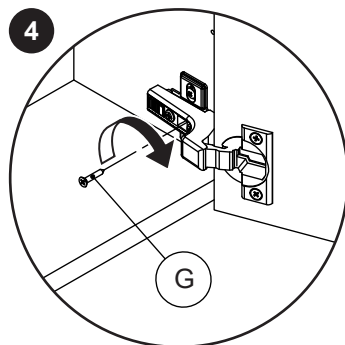
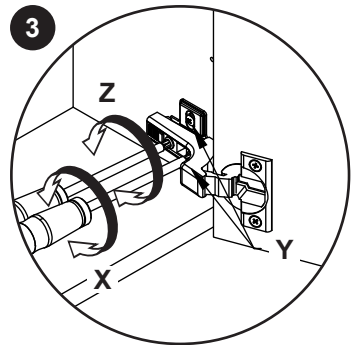
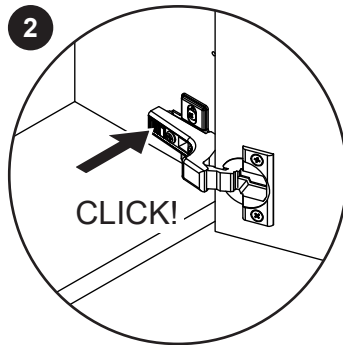
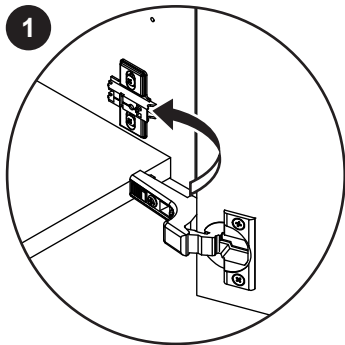
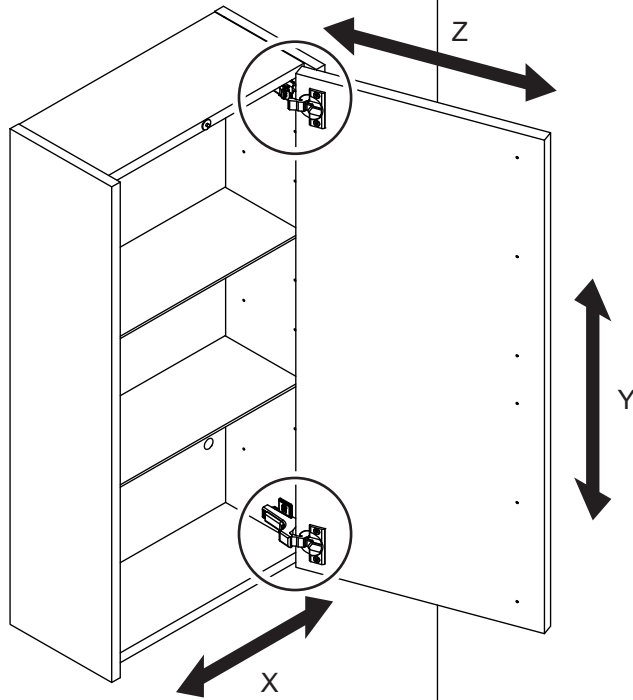
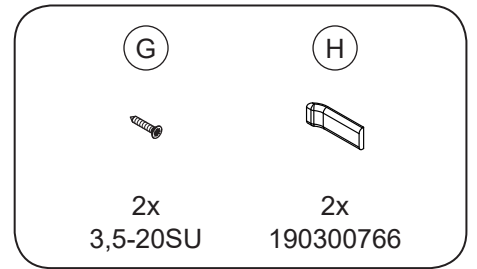
9



# 10






	
8x 415533	2x 820841301

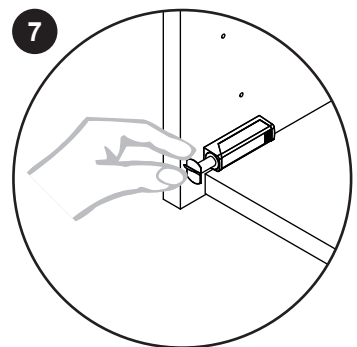
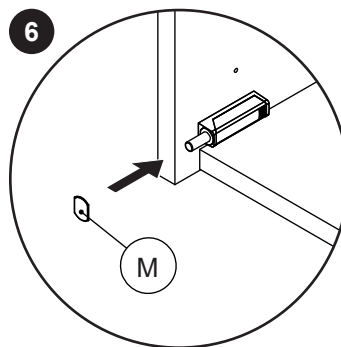
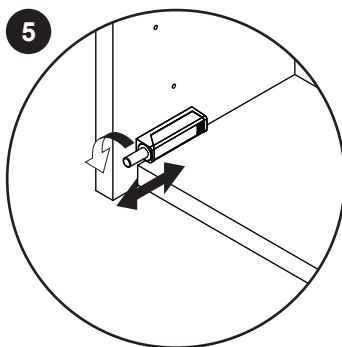
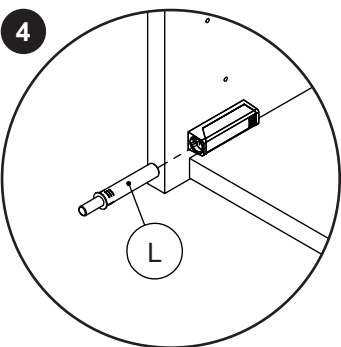
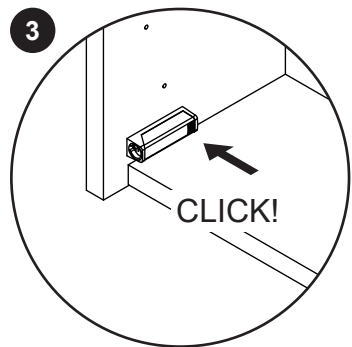
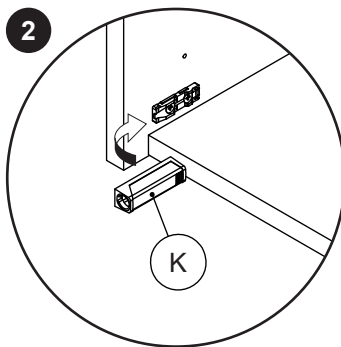
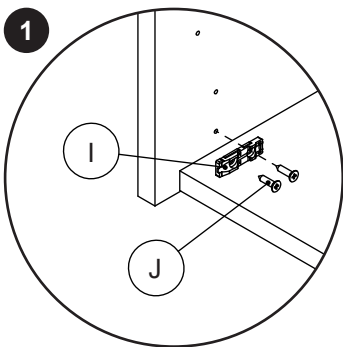
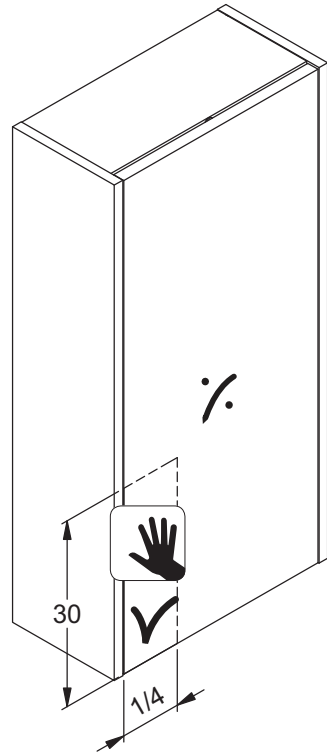
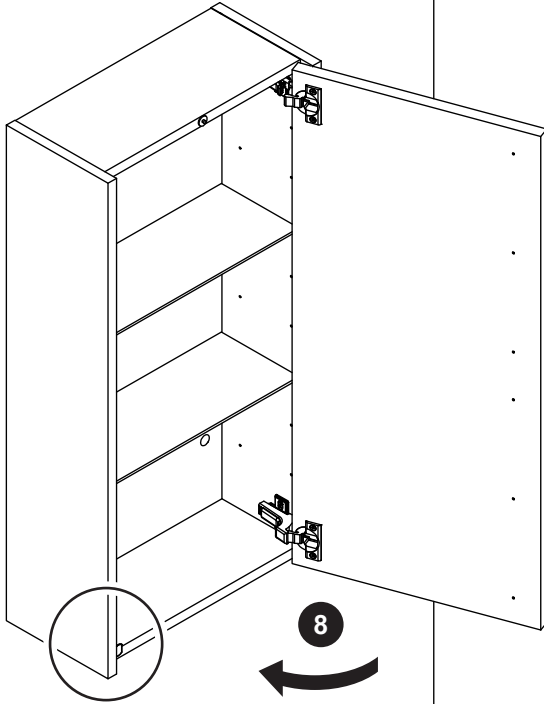




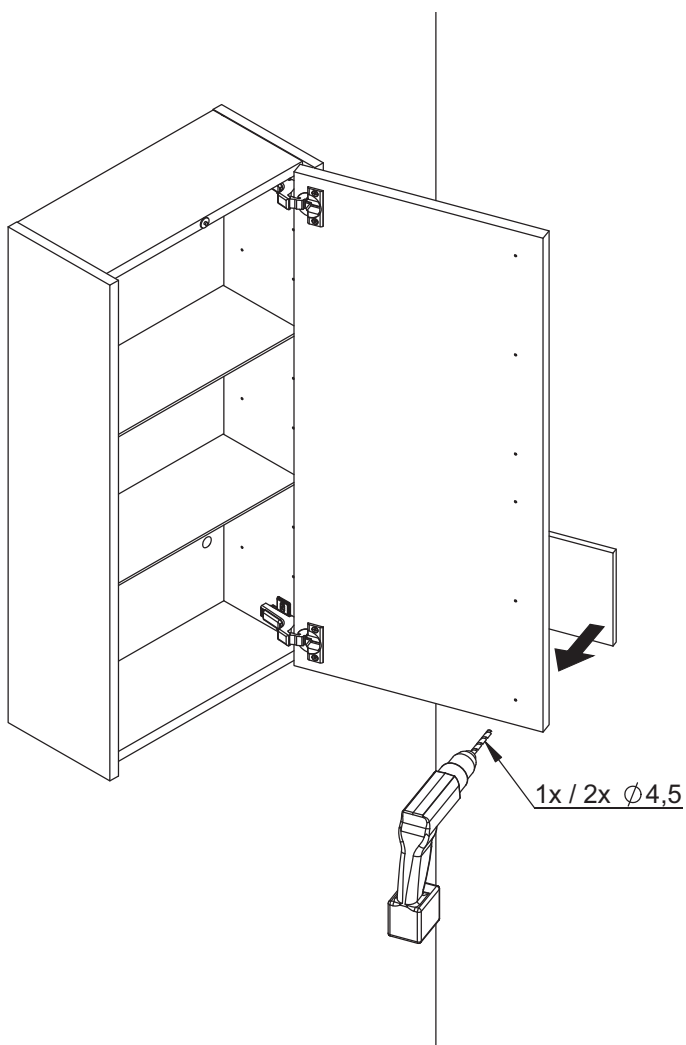
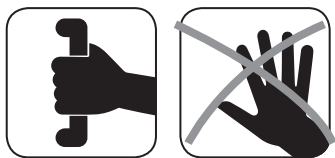
# 12



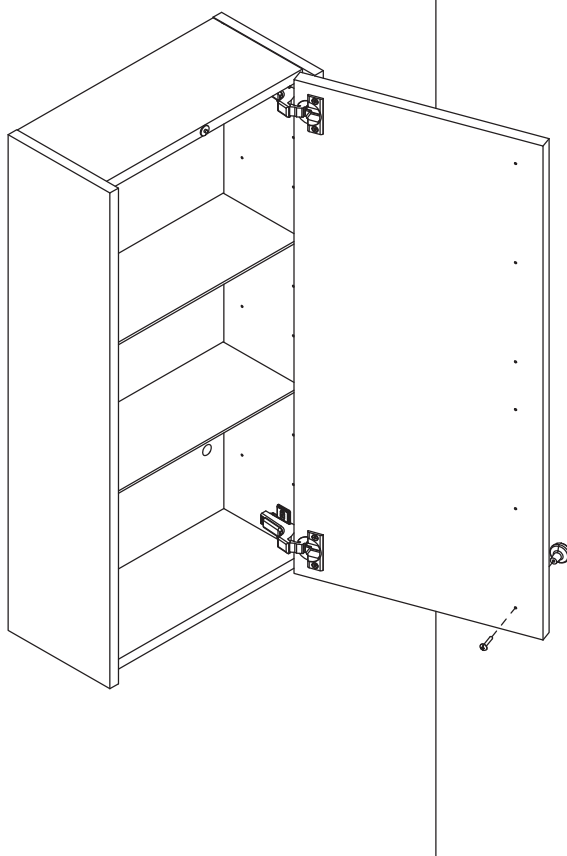
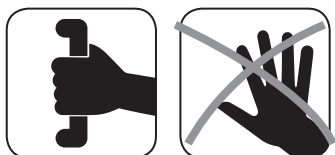
 I	 J	 K	 L	 M
1x 190320150	2x 4,0-16LH	1x 190320152	1x 190320154-2	1x 190320154-3



# 13A




# 13B



# 14



(N)  
  
2x  
19500030

